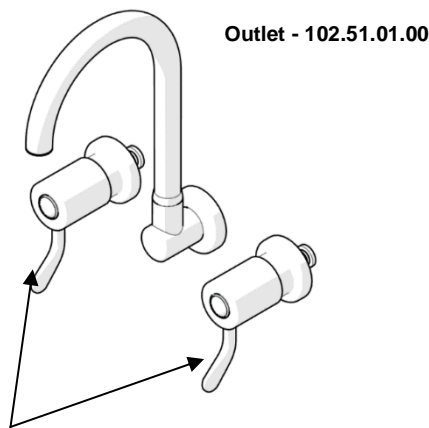


# CliniLever® CP-BS Lead Safe Hospital Wall Sink Set Taps w/ 190 Gooseneck Outlet

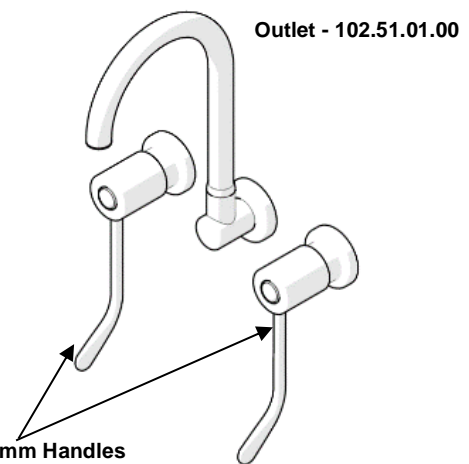
## PRODUCT CODES:

- 102.62.22.03
- 102.62.21.03
- 102.62.12.03
- 102.62.11.03



80mm Handles

- 102.60.12.01 – Jumper Valve – Cold
- 102.60.12.02 – Jumper Valve – Hot
- 102.60.22.01 – Ceramic Disc – Cold
- 102.60.22.02 – Ceramic Disc – Hot



150mm Handles

- 102.60.11.01 – Jumper Valve – Cold
- 102.60.11.02 – Jumper Valve – Hot
- 102.60.21.01 – Ceramic Disc – Cold
- 102.60.21.02 – Ceramic Disc – Hot

For Watermark and/or WELS information of KITS, refer to each individually certified component.

| Item Code:          | Description  | Watermark | WELS |
|---------------------|--|-----------|------|
| <b>102.62.22.03</b> | <b>CliniLever® CP-BS Lead Safe™ Hospital Wall Sink Set<br/>80 C/D w/ 190 G/Neck Outlet Laminar</b> | *         | *    |
| Components:         |  |           |      |
| 102.51.01.00        | CliniLever® CP-BS Lead Safe™ Gooseneck Wall Swivel Outlet 190 Reach x 165High Laminar              | YES       | YES  |
| 102.60.22.01        | CliniLever® CP-BS Lead Safe™ Hospital Wall Top Assembly 80 C/D Cold                                | YES       | N/A  |
| 102.60.22.02        | CliniLever® CP-BS Lead Safe™ Hospital Wall Top Assembly 80 C/D Hot                                 | YES       | N/A  |
| Item Code:          | Description  | Watermark | WELS |
| <b>102.62.21.03</b> | <b>CliniLever® CP-BS Lead Safe™ Hospital Wall Sink Set<br/>80 J/V w/ 190 G/Neck Outlet Laminar</b> | *         | *    |
| Components:         |  |           |      |
| 102.51.01.00        | CliniLever® CP-BS Lead Safe™ Gooseneck Wall Swivel Outlet 190 Reach x 165High Laminar              | YES       | YES  |
| 102.60.12.01        | CliniLever® CP-BS Lead Safe™ Hospital Wall Top Assembly 80 J/V Cold                                | YES       | N/A  |
| 102.60.12.02        | CliniLever® CP-BS Lead Safe™ Hospital Wall Top Assembly 80 J/V Hot                                 | YES       | N/A  |

| Item Code:  | Description   | Watermark | WELS |
|---|---|-----------|------|
| <b>102.62.12.03</b>   | <b>CliniLever® CP-BS Lead Safe™ Hospital Wall Sink Set 150 C/D w/ 190 G/Neck Outlet Laminar</b> | *         | *    |
| Components:   |   |           |      |
| 102.51.01.00  | CliniLever® CP-BS Lead Safe™ Gooseneck Wall Swivel Outlet 190 Reach x 165High Laminar           | YES       | YES  |
| 102.60.21.01  | CliniLever® CP-BS Lead Safe™ Hospital Wall Top Assembly 150 C/D Cold                            | YES       | N/A  |
| 102.60.21.02  | CliniLever® CP-BS Lead Safe™ Hospital Wall Top Assembly 150 C/D Hot                             | YES       | N/A  |
| Item Code:  | Description   | Watermark | WELS |
| <b>102.62.11.03</b>   | <b>CliniLever® CP-BS Lead Safe™ Hospital Wall Sink Set 150 J/V w/ 190 G/Neck Outlet Laminar</b> | *         | *    |
| Components:   |   |           |      |
| 102.51.01.00  | CliniLever® CP-BS Lead Safe™ Gooseneck Wall Swivel Outlet 190 Reach x 165High Laminar           | YES       | YES  |
| 102.60.11.01  | CliniLever® CP-BS Lead Safe™ Hospital Wall Top Assembly 150 J/V Cold                            | YES       | N/A  |
| 102.60.11.02  | CliniLever® CP-BS Lead Safe™ Hospital Wall Top Assembly 150 J/V Hot                             | YES       | N/A  |
| Notes:  |   |           |      |
| <ol style="list-style-type: none"> <li>1. N/A—Not applicable.</li> <li>2. * — The item is a <b>KIT</b>.</li> <li>3. A copy of each component's Installation Instructions can either be downloaded from <a href="http://www.galvinengineering.com.au">www.galvinengineering.com.au</a> or found inside the packaging.</li> <li>4. Kit components may be purchased separately.</li> </ol> |   |           |      |

| <b>TROUBLESHOOTING</b>                             |   |  |
|--|---|--|
| <b>PROBLEM</b>                                     | <b>CAUSE</b>  | <b>RECTIFICATION</b>   |
| Taps are dripping water                            | Jumper valves are worn or damaged                                     | Replace jumper valve   |
|  | Ceramic discs are worn or damaged                                     | Remove and inspect SBA. Remove debris and/or replace SBA if damaged.                           |
|  | Tap seat is damaged   | Refurbish tap seat using a reseating tool.   |
| Water is leaking from spindle                      | O-ring on jumper valve spindle is damaged or worn                     | Replace o-ring   |
| Water is not flowing from tap                      | Water is turned off   | Turn water on  |
|  | Aerator or flow regulator is blocked by debris                        | Remove aerator and/or flow regulator from tap and remove debris. Install an inline strainer.   |
|  | Obstruction on spout  | Check if there are obstructions hindering the water flow in the spout and take it out.         |
| Spindle is difficult to turn (jumper valve)        | Build up of scale on spindle, spindle worn or o-ring has been damaged | Remove jumper valve, clean and regrease. Replace o-ring. Complete SBA may need to be replaced. |
| Handle is loose                                    | Screw has come loose  | Tighten handle screw   |
| Flange does not screw down onto basin/sink surface | Tap bodies are set too far out  | Re-position tap bodies and breach piece  |

**WARRANTY**

Galvin Engineering products are covered under our Manufacturer's Warranty. Galvin Engineering products must be installed in accordance with the installation instructions and in accordance with AS 3500 and NCC Volume Three, relevant Australian Standards and local authorities applicable to product being installed. Water and electrical supply conditions must also comply to the applicable national and/or state standards, failing to comply with these provisions may void the product warranty and affect performance of the product.

Please visit [www.galvinengineering.com.au](http://www.galvinengineering.com.au) to view the full warranty, our Installation Compliance and Maintenance & Cleaning information as well as any other additional information.

